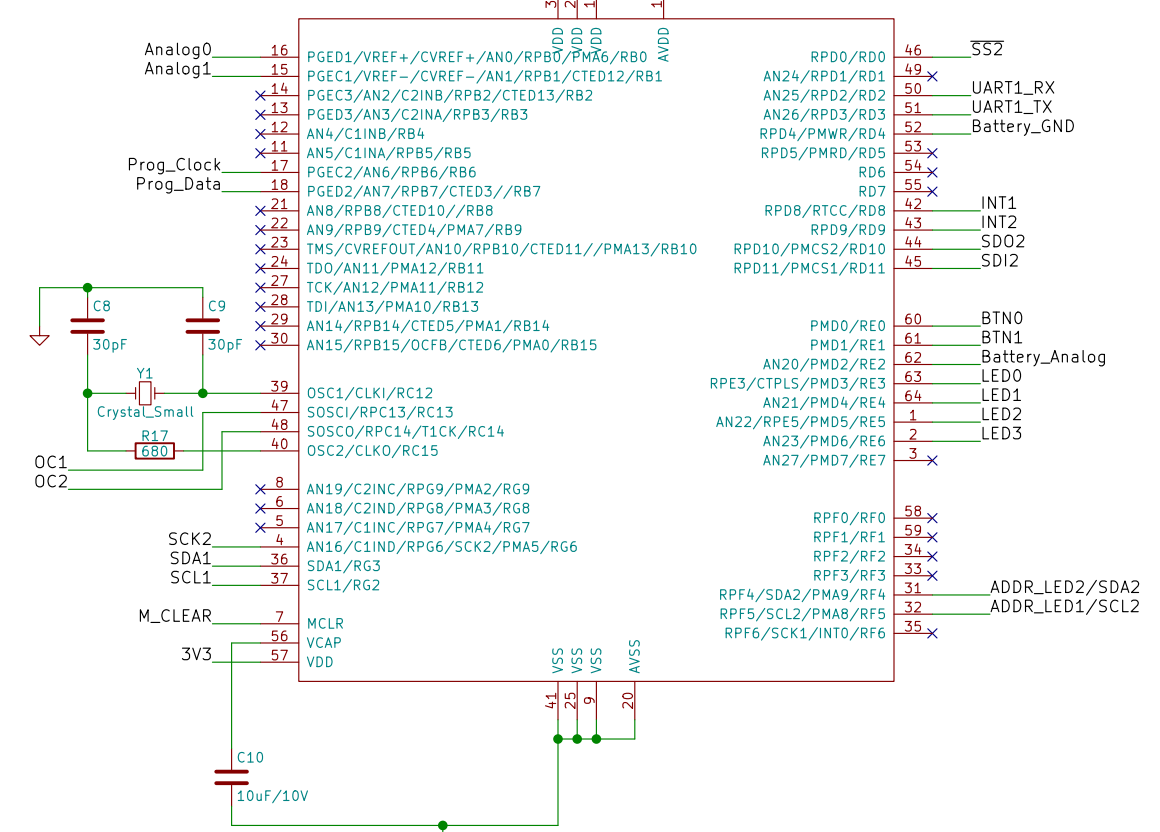
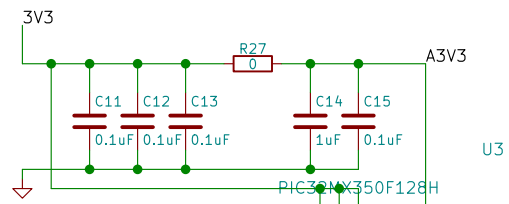
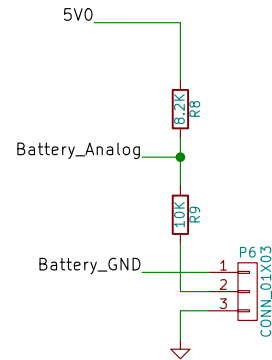
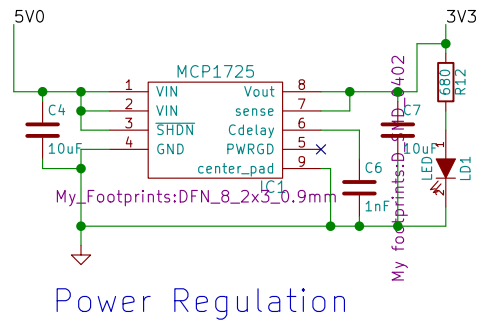
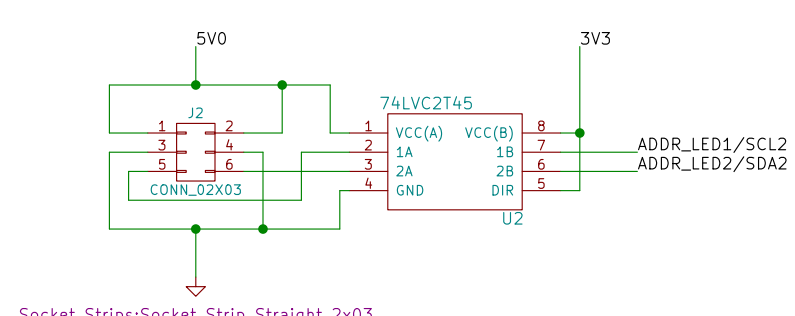
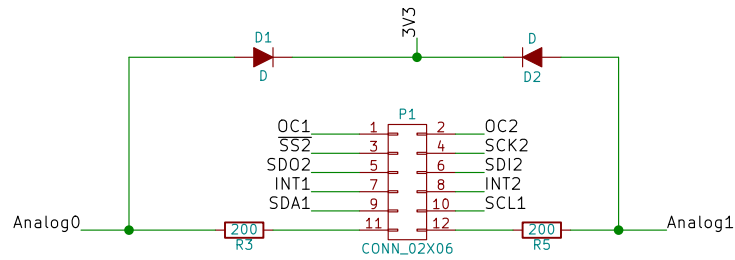


Power Connector

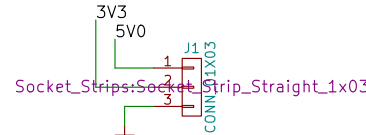


GPIO Headers

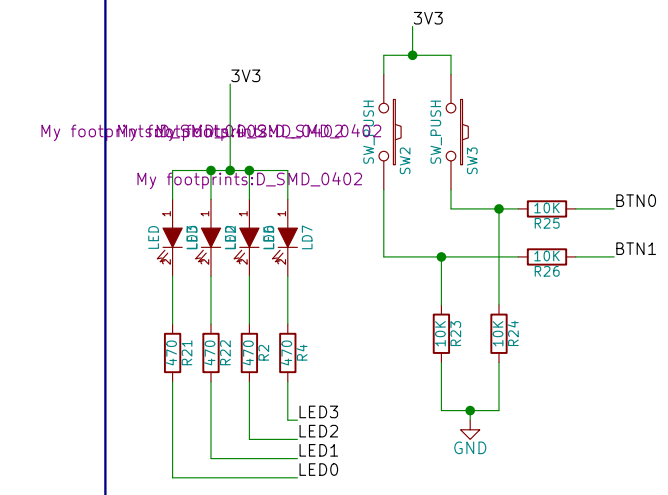


Microcontroller

Power Header

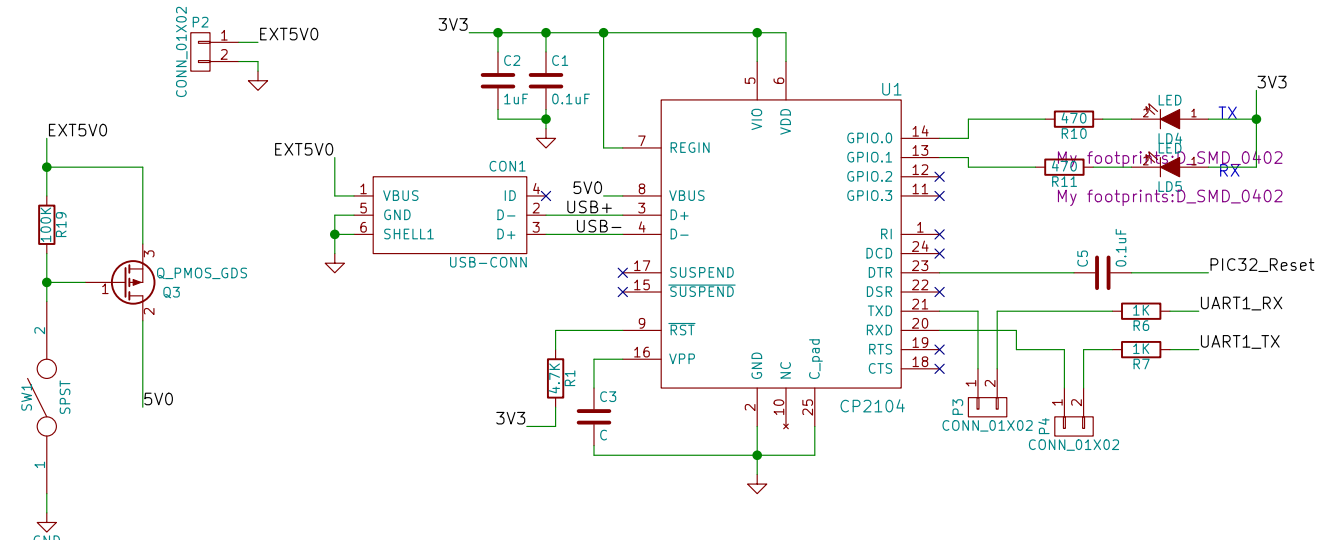


LED Header



User LEDs

USB to Serial Circuit



Programming Header

